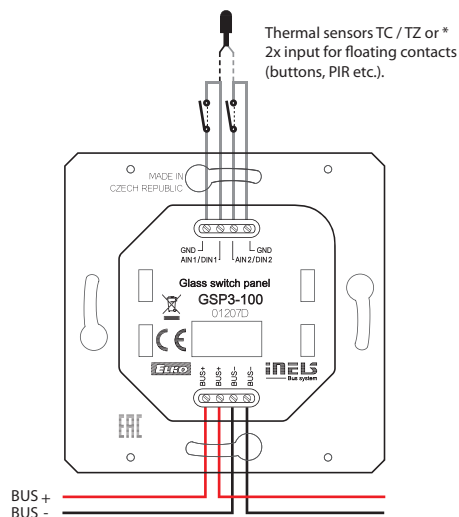


EAN code*
 GSP3-100/B: 8595188156288
 GSP3-100/W: 8595188156325

Technical parameters		GSP3-100
Inputs		
Temperature measuring:	YES, built-in temperature sensor	
Scope and accuracy of temp. measurement:	0.. +55°C; 0.3°C from the range	
Inputs:	2x AIN/DIN	
Resolution:	by setting 10-bit	
External temperature sensor:	YES, the connection between AIN1/DIN1 and AIN2/DIN2	
Type external sensor:	TC/TZ	
Temperature measurement range:	-20°C to +120°C	
Temperature measurement accuracy:	0.5°C from the range	
Buttons		
Number of control buttons:	10	
Type:	Capacitive	
Indication:	Coloured illuminated symbol	
Outputs		
Acoustic output:	piezo-changer	
Tactile output:	Vibration motor	
Communication		
Installation BUS:	BUS	
Power supply		
Supply voltage / tolerance:	27 V DC, -20 / +10 %	
Rated current:	25-65 mA (at 27V DC), from BUS	
Connection		
Terminals:	0.5 - 1 mm ²	
Operating conditions		
Relative humidity:	max. 80 %	
Operating temperature:	-20 .. +55 °C	
Storing temperature:	-30 .. +70 °C	
Protection degree:	IP20	
Overvoltage category:	II.	
Pollution degree:	2	
Operation position:	any	
Installation:	on the wall, observing the conditions for correct installation of the thermostat	
Dimensions and weight		
Dimensions:	142 x 94 x 36 mm	
Weight:	208 g	

- Glass Touch Panel GSP3-100 is part of a comprehensive iNELS series of units for the management of the hotel rooms (GRMS), but the unit can be used wherever it is required to control multiple devices from one location.
- GSP3-100 is equipped with ten touch buttons whose functions can easily be edited using the software.
- The graphics of individual symbols are possible based on consultations with manufacturers to change and adapt to the requirements of the investor.
- Individual symbols can be any one of seven backlight colours - red, green, blue, yellow, pink, turquoise and white.
- Glass touch panel is a design component of the INELS system and is available in elegant black (GSP3-100/B) and white (GSP3-100/W) versions.
- Compared with standard glass touchscreen controllers with symbols GSB3-20/SB, GSB3-20/SW, GSB3-40/SB, GSB3-40/SW, GSB3-60/SB and GSB3-60/SW the GSP3-100 is one and a half times the width.
- The touch panel is equipped with an integrated temperature sensor. It is also equipped with two analogue-to-digital inputs (AIN/DIN), which can be used to connect two potential free contacts or one external temperature sensor TC / TZ (e.g. For measuring the temperature of the floor).
- The touch panel is also equipped with an ambient light intensity sensor. Based on information from the sensor it can light up indicative illumination symbols or perform various actions with the iDM3 software, e.g. To also switch the lighting circuits in the room.
- Advantages over conventional switches / buttons is saving space, signalling the state of any system output, the ability to measure temperature and an option to connect external pushbuttons or detectors.
- Each button can control any actuator (appliance) in the system. Also, you can assign a different function or macro (set of functions) to each button. It is therefore possible to use one button to control several appliances.
- GSP3-100 is designed for mounting into an installation box.

Connection



* The choice is made in iDM3 for each unit separately.