



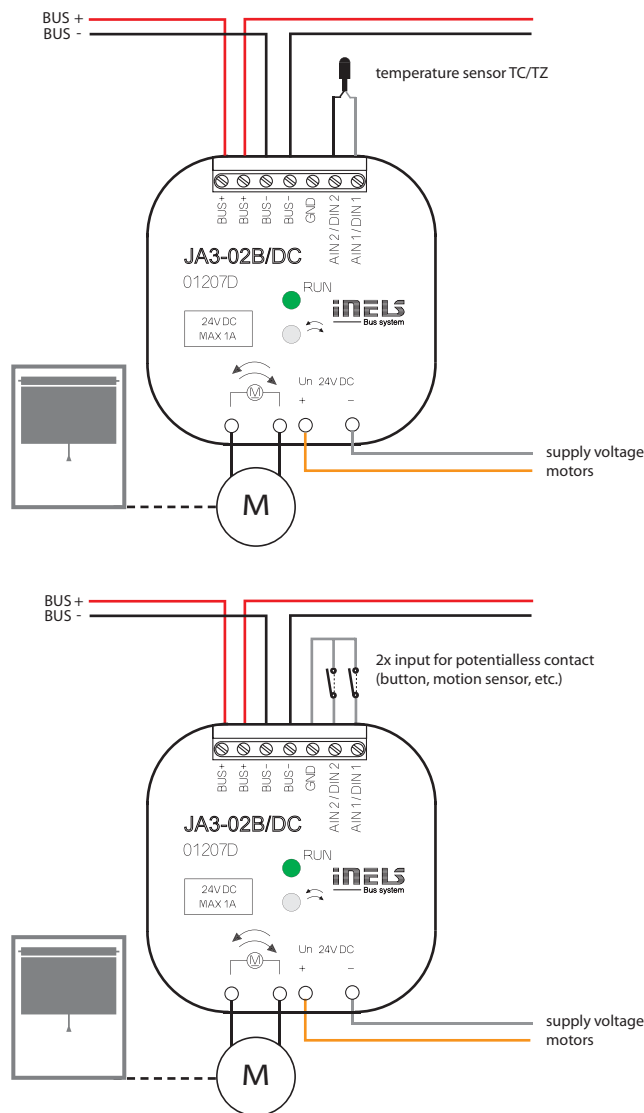
EAN code
JA3-02B/DC: 8595188132718

- JA3-02B/DC actuator serves to control blinds, shutters, garage doors, entrance gates, etc.
- Operates electrical motors, which are controlled in 2 directions and have a built-in limit switch.
- JA3-02B/DC controls electric drives with supply voltages up to 24 V DC, where the direction of rotation of the driver is controlled by changing the voltage polarity of the motor.
- The unit is equipped with thermal and overcurrent overload protection outputs.
- Status of units is indicated by green LED RUN on the front panel:
 - with the supply voltage connected (through BUS) and the unit is not controlled by BUS, LED RUN shines.
 - with the supply voltage connected (through BUS) and the unit is controlled by BUS, LED RUN flashes.
- Status of output contacts UP/DOWN (↕):
 - while contact UP (↗) is switched, red LED shines (orange).
 - while contact DOWN (↖) is switched, green LED shines.
- The unit is also equipped with two analog digital inputs (AIN/DIN), which can be used to connect two potential free contacts (e.g. to connect double button for local control) or a single external temperature sensor TC/TZ (see accessories).
- JA3-02B/DC is designed for mounting into an installation box.

Technical parameters **JA3-02B/DC**

Inputs	
Inputs:	2x AIN/DIN
Resolution:	bit 10
Ext. temperature sensor:	the connection between AIN1/DIN1 and AIN2/DIN2
Type ext. sensor:	TC/TZ
Temperature measurement range:	-20°C to +120°C
Temperature measurement accuracy:	0.5°C from range
Outputs	
Insulative voltage between outputs and internal circuits:	3.75 kV, SELV by EN 60950
Rated current:	0.85 A*
Peak current:	1.5 A / < 3s
Switched voltage:	12-24 V DC
Output indication UP, (↗):	red (orange) LED
Output indication DOWN, (↖):	green LED
Communication	
Installation BUS:	BUS
Power supply	
Supply voltage / tolerance:	27 V DC, -20 / +10 %
Rated current:	60mA (at 27V DC), from BUS
Status indication unit:	green LED RUN
Connection	
Data terminals:	terminal 0.5 - 1 mm ²
Power outputs:	4x conductor CY, 0.75 mm ²
Operating conditions	
Operating temperature:	-20 to +50°C
Storage temperature:	-30 to +70°C
Protection degree:	IP30
Control device purpose:	operative control device
Control device construction:	individual control device
Characteristics of automatic operation:	1.B.E
Heat and fire resistance category:	FR-0
Anti-shock category (immunity):	class 2
Rated impulse voltage:	2.5 kV
Overvoltage category:	II.
Pollution degree:	2
Operation position:	any
Installation:	into an installation box
Dimensions and weight	
Dimensions:	49 x 49 x 13 mm
Weight:	32 g

Connection



* Maximal operation time of outputs with rated current 0.85 A is 10 minutes... after that the output heating protection activates. The lower the current, the longer duration of protection.