



EAN code
DA3-06M: 8595188174442
DA3-06M/120V: 8595188174459

Technical parameters

DA3-06M

Outputs

Output:	6x contactless outputs, 2x MOSFET
Load type:	resistive, inductive, capacitive*, LED, ESL
Isolation BUS separated from all internal circuits:	reinforced Insulation (Cat. II surges by EN 60664-1)
Isolation voltage between particular power:	max. 500 V AC
Minimal controlled load:	10 VA
Maximal controlled load:	DA3-06M (230V): 150 VA for each channel DA3-06M/120V: 75 VA for each channel
Output indication ON/OFF:	6x red LED
Device protection:	thermal / short-term overload / long-term overload

Communication

Installation BUS:	BUS
-------------------	-----

Power supply

Supply voltage by BUS / tolerance:	27 V DC, -20 / +10 %
Rated current:	5 mA (at 27V DC), from BUS
Status indication unit:	green LED RUN
DA3-06M Supply voltage for power section / tolerance:	3x AC 230 V (50 Hz), -15 / +10 %
DA3-06M/120V Supply voltage for power section / tolerance:	3x AC 120 V (60 Hz), -15 / +10 %

Connection

Terminal:	max. 2.5 mm ² /1.5 mm ² with sleeve
-----------	---

Operating conditions

Air humidity:	max. 80 %
Operating temperature:	-20 to +35 °C
Storing temperature:	-30 to +70 °C
Protection degree:	IP20 device, IP40 mounting in the switchboard
Overvoltage category:	II.
Pollution degree:	2
Operating position:	vertical
Installation:	switchboard on DIN rail EN 60715
Design:	6-MODULE

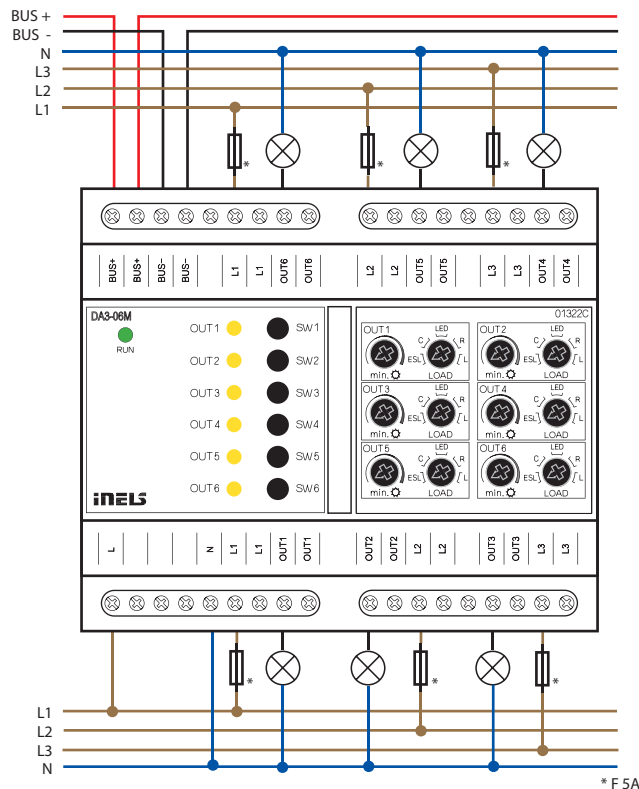
Dimensions and weight

Dimensions:	90 x 105 x 65 mm
Weight:	320 g

* Attention: It is not allowed to connect loads of inductive and capacitive character, at the same time.

- DA3-06M is a universal six-channel dimmer actuator that controls the brightness of dimmable ESL, LED and RLC light sources with 230V power.
- The DA3-06M has 6 semiconductor controlled 230 V AC outputs. Maximum possible load is 150 VA for each channel.
- Each of the output channels is individually controllable and addressable.
- The type of light source is set by the switch on the front of the instrument.
- Setting min. Brightness with the potentiometer on the front of the instrument eliminates flickering of different types of light sources.
- Using the front panel control buttons, you can manually control the output.
- The actuator is equipped with electronic overcurrent and thermal protection that shuts off the output during overloads, short circuits or overheating.
- When installing, on each side of the actuator, it is necessary to leave at least half a module space for better cooling.
- DA3-06M in 6-MODULE version is designed for mounting into a switchboard/ DIN rail EN60715.

Connection



* F 5A

Types of connectable loads

type of source	symbol	description
R resistive		ordinary light bulb, halogen lamp
L inductive		coiled transformer for low-voltage halogen lamps
C capacitive		electronic transformer for low-voltage halogen lamps
LED		LED lamps and LED light sources, 230 V
ESL		dimmable energy-saving fluorescent tubes